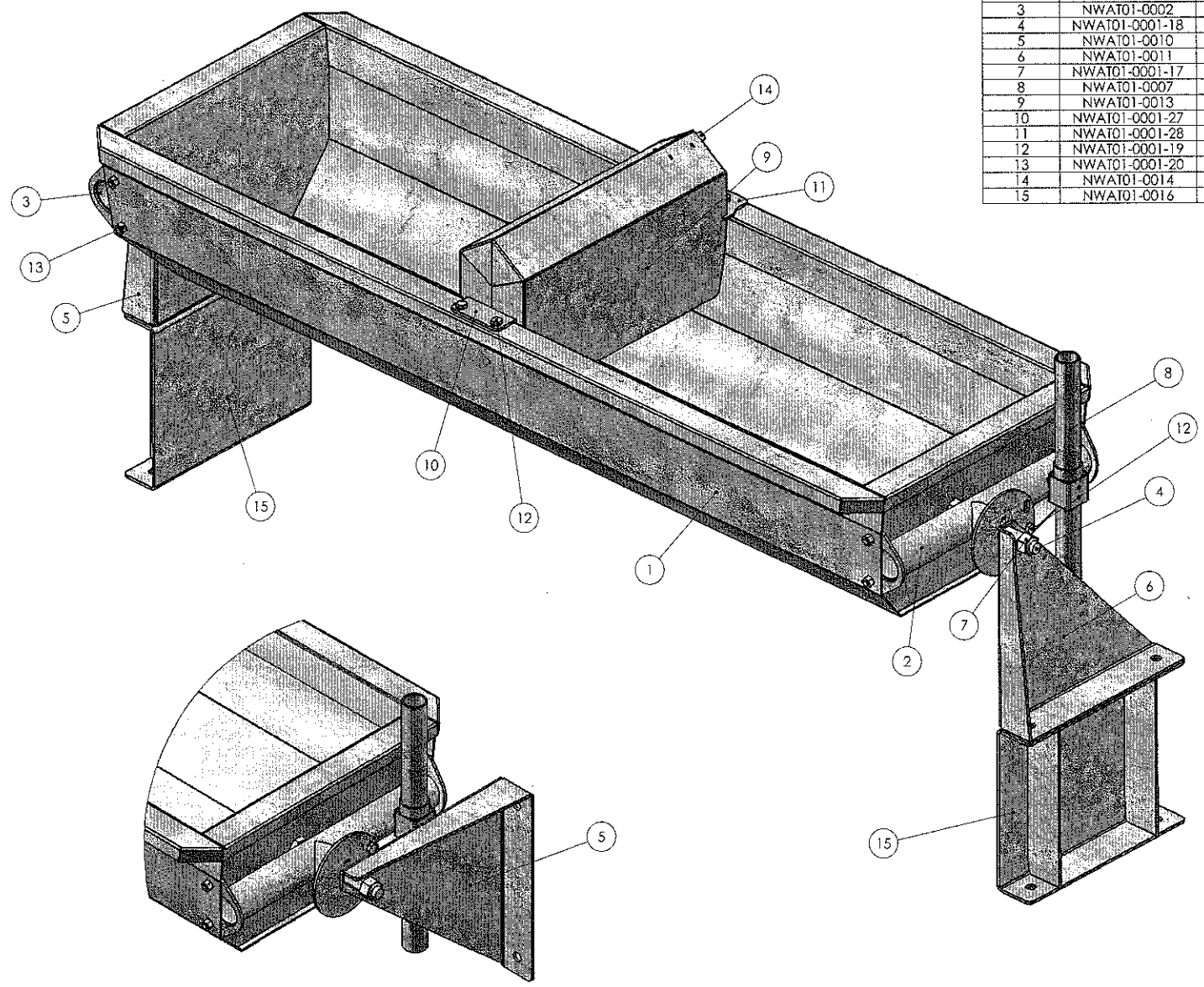


ITEM NO.	PART NUMBER	DESCRIPTION	MATERIAL	QTY.
1	NWAT01-0006	ASSEMBLY		1
2	NWAT01-0003	ASSEMBLY		1
3	NWAT01-0002	ASSEMBLY		1
4	NWAT01-0001-18	M20 X 180 B7P BOLT		2
5	NWAT01-0010	ASSEMBLY		1
6	NWAT01-0011	ASSEMBLY		1
7	NWAT01-0001-17	M20 NYLOC		2
8	NWAT01-0007	ASSEMBLY		1
9	NWAT01-0013	ASSEMBLY		1
10	NWAT01-0001-27	5MM LASER CUT		1
11	NWAT01-0001-28	5MM LASER CUT		1
12	NWAT01-0001-19	M10 X 20 B7P SET SCREW		13
13	NWAT01-0001-20	M10 NYLOC NUT		13
14	NWAT01-0014	ASSEMBLY		1
15	NWAT01-0016	ASSEMBLY	OPTIONAL	2



NOTE SWAP BRACKETS 5 AND 6 FOR WALL MOUNTING OPTION

UNLESS OTHERWISE SPECIFIED, DIMENSIONS ARE IN MILLIMETERS  
 SURFACE FINISH IS UNLESS SPECIFIED  
 LINEAR ANGULAR

DRINK SHIP BREAK CLASP FITTING  
 ISOMETRIC DRAWING  
 REF: 001

SCALE: 1:1

DATE: 10/10/10

NAME: \_\_\_\_\_ SIGNATURE: \_\_\_\_\_ DATE: \_\_\_\_\_

DRAWN: \_\_\_\_\_ CHECKED: \_\_\_\_\_ APPROVED: \_\_\_\_\_ IN CHARGE: \_\_\_\_\_

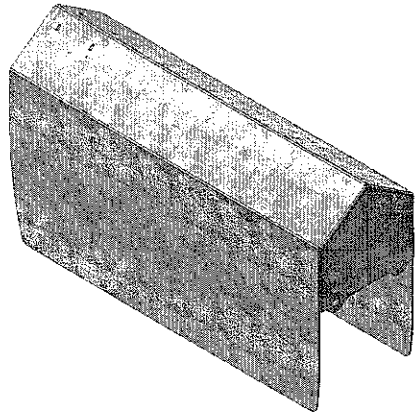
MATERIAL: \_\_\_\_\_

WEIGHT: \_\_\_\_\_

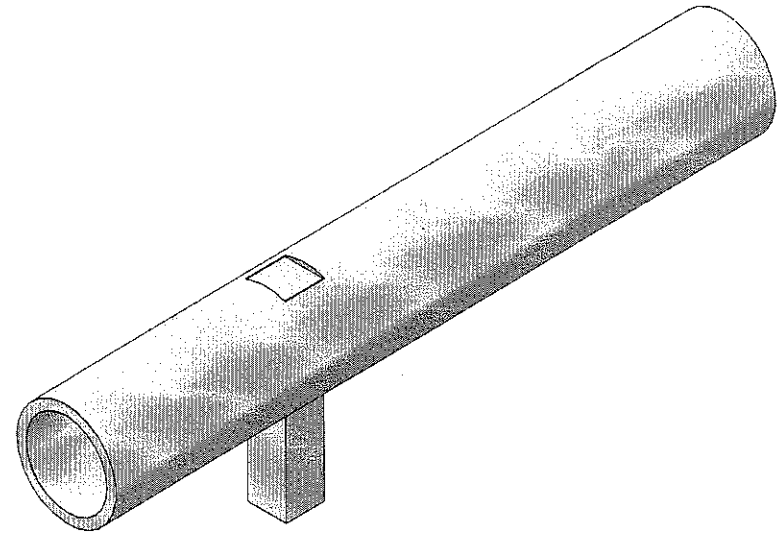
SCALE: 1:1

DATE: 10/10/10

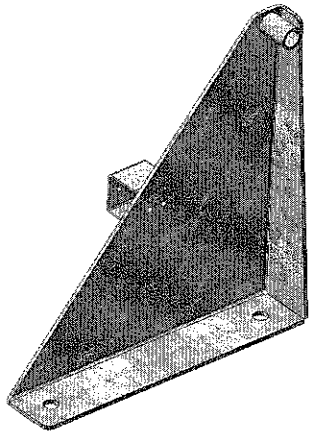
REF: H360 LTD  
 WILSON AGRICULTURE  
 WATER DRINKER  
 PART NO: NWAT01-0012 A2



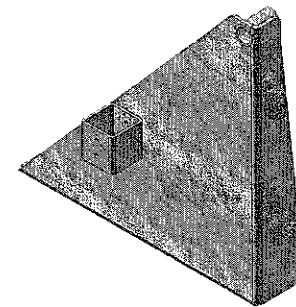
NWAT01-0013 X 1



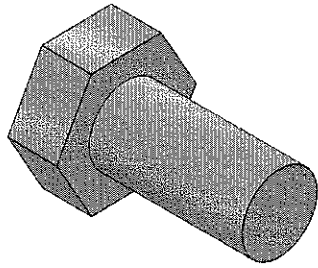
NWAT01-0014 X 1



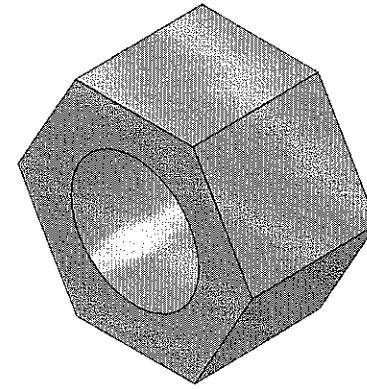
NWAT01-0010 X 1



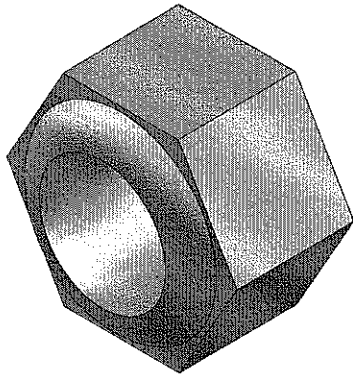
NWAT01-0011 X 1



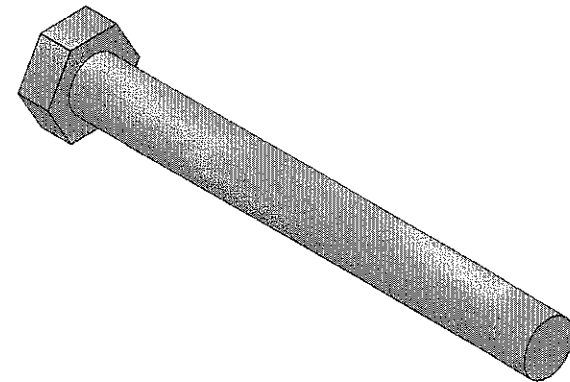
NWAT01-0001-19 X 14



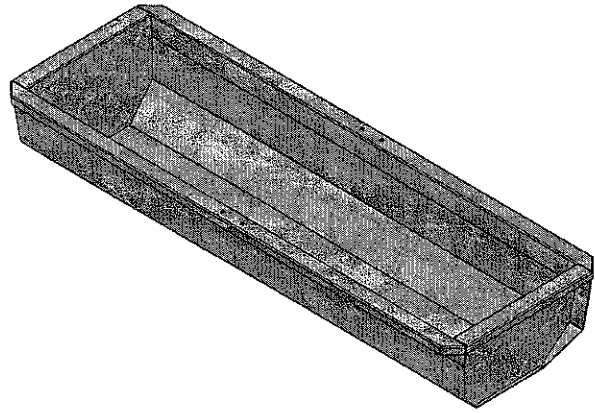
NWAT01-0001-20 X 14



NWAT01-0001-17 X 2



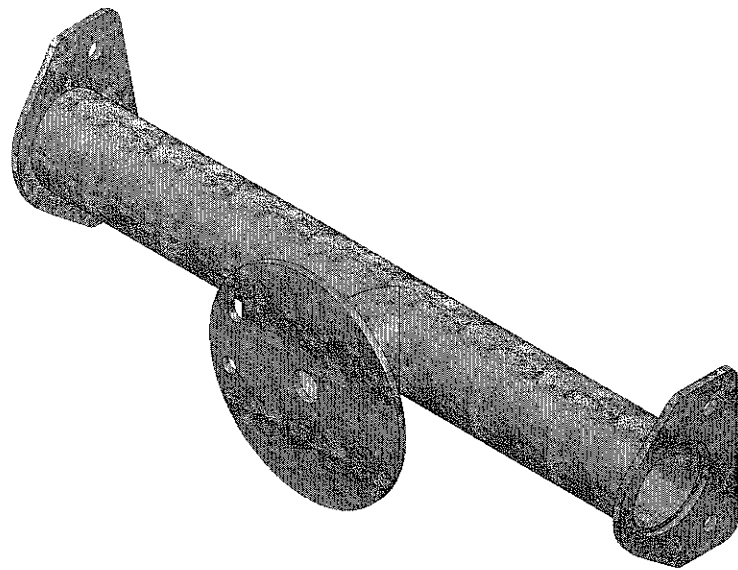
NWAT01-0001-18 X 2



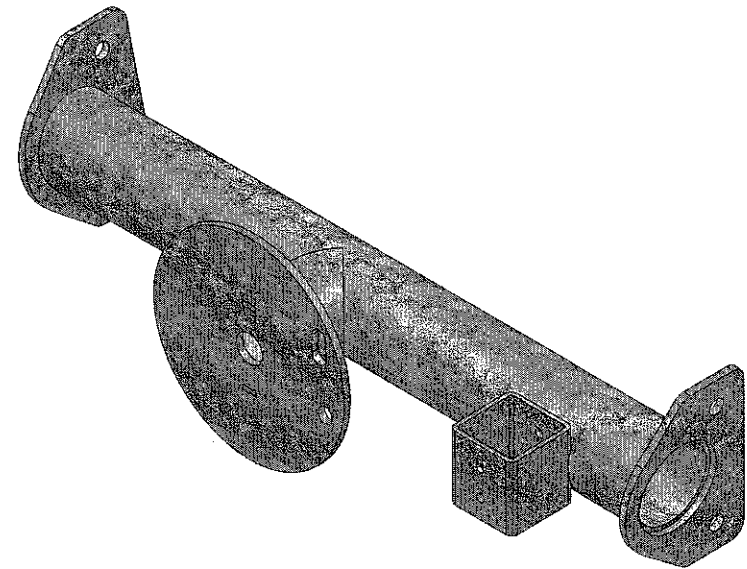
NWAT01-0006 X 1



NWAT01-0007 X 1



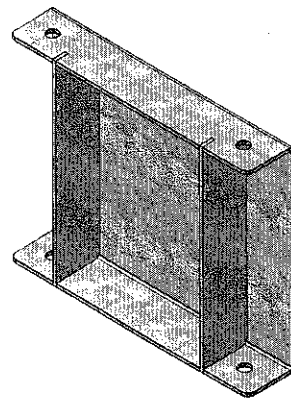
NWAT01-0002 X 1



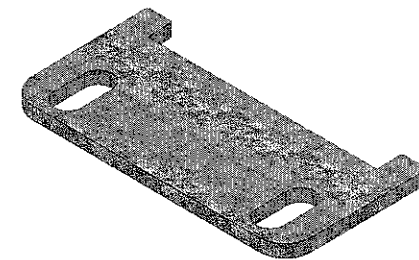
NWAT01-0003 X 1



NWAT01-0001-28 X 1



NWAT01-0016 X 2 (OPTIONAL)



NWAT01-0001-27 X 1