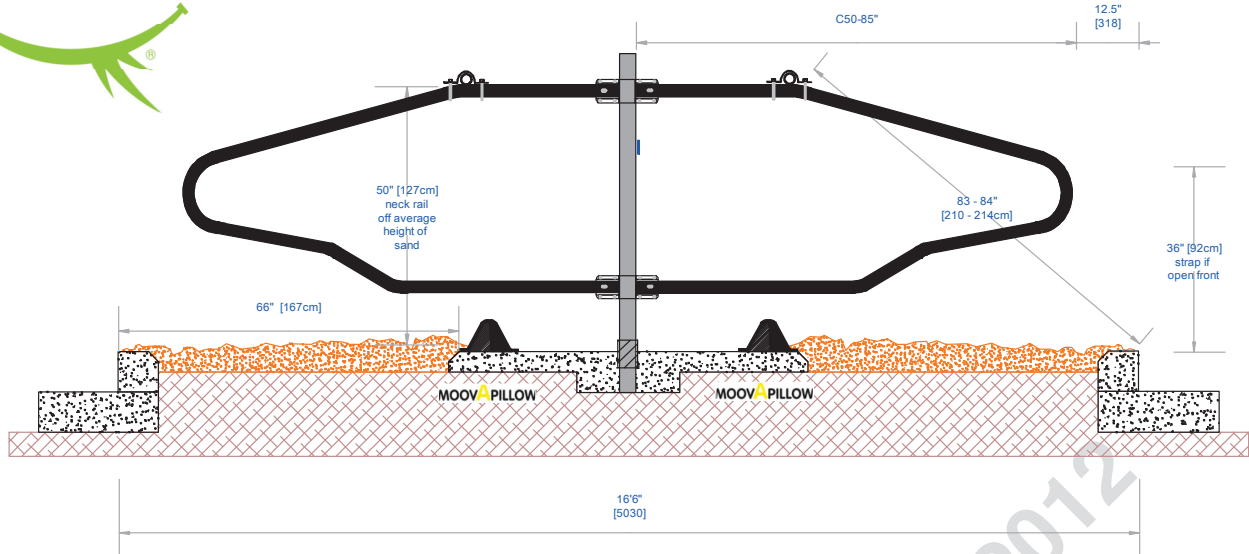
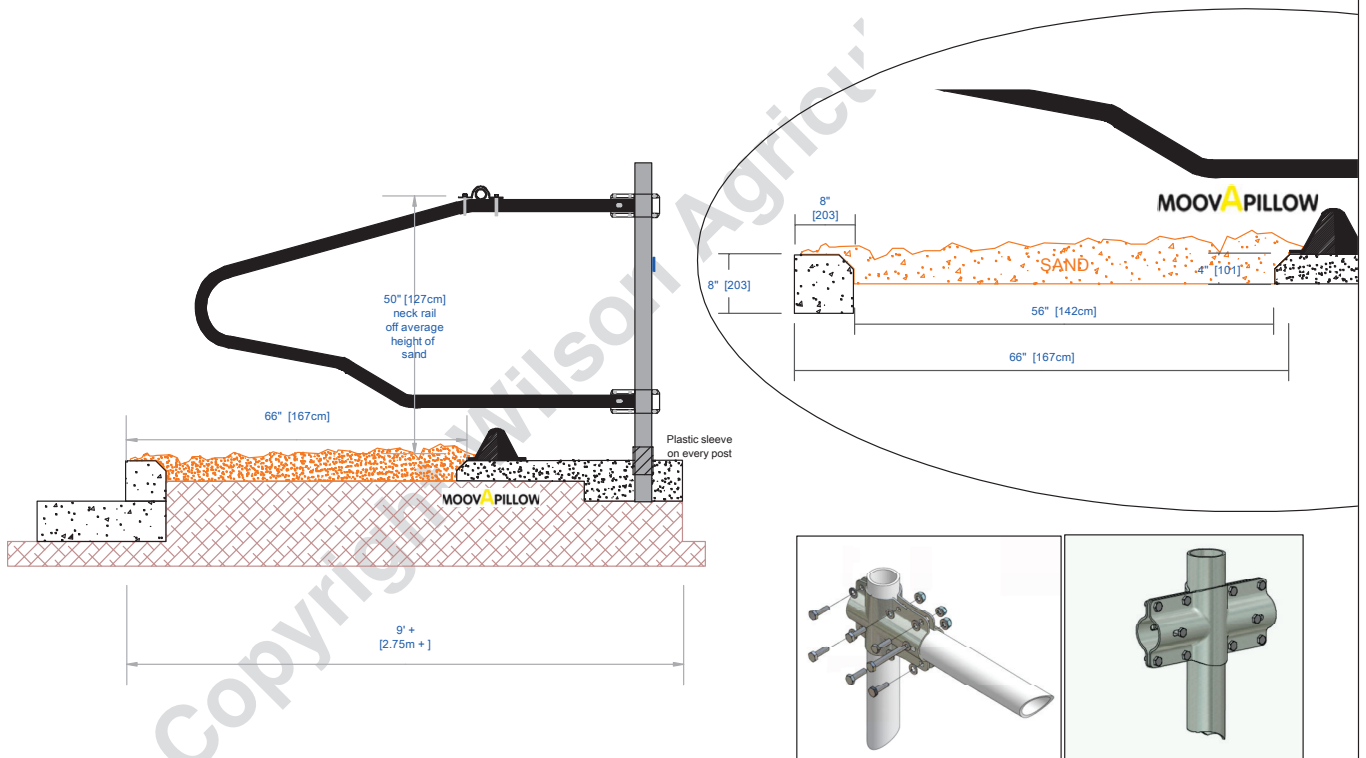


C-50™

The Adjustable Cow Stall



For post mounts the posts need to be installed down the middle



TITLE: The Post Mounted cubicles	REVISION: SAND
DETAILS: C50-85" for 9ft [2.75m] single row and 16ft6inch [5.03m] head to head	
DATE:	SCALE: Scale: 1:35
WILSON AGRICULTURE Dairy Housing Specialists www.wilsonagri.co.uk	DRAWN BY: Ivor Davey ivor@wilsonagri.co.uk