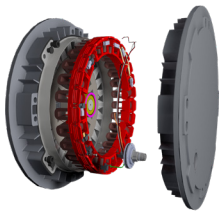


ZEFIRO fans are CMP patented flagship products and 100% Made in Italy. CMP was the first Italian company to apply to its products the innovation provided by the brushless engine which deploys an on-board mechanism for automatic and independent speed control. This kind of innovation makes it possible to no longer use the gearmotor present in asynchronous motors, so as to reduce the presence of mechanical parts subject to wear. The main benefits are the reduced use of maintenance, greater efficiency and lower energy consumption.

STANDARD FEATURES

Specific for diary cows and beef sector



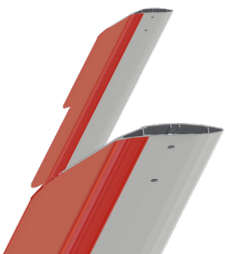
PERMANENT MAGNETS ENGINE

Gearless technology design and manufacturing CMP expertise. Highest levels of performance and energy efficiency. No gearbox. Noise and maintenance reduction.



ON-BOARD MOTOR CONTROL

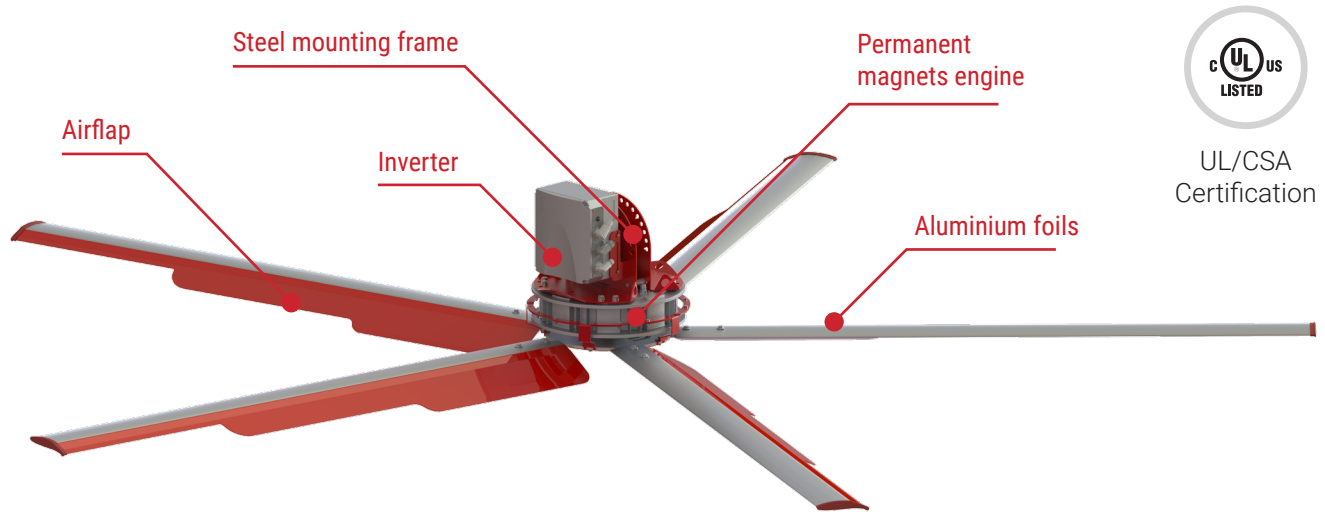
A patented component added to the mechanical part of the fans in order to eliminate the friction generated by the weight of the impeller and blades and increase their robustness.



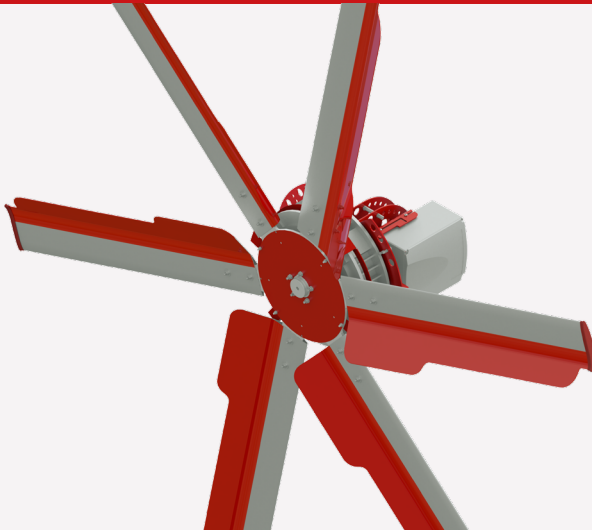
ALUMINIUM FOILS

Aluminium shape generates more airflow over the entire speed range. Requires less energy for optimum airflow. The blades create optimal spacing for maximum volume, velocity and air delivery to the space below.

TECHNICAL DATA



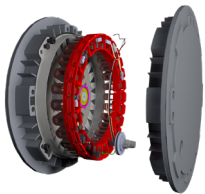
Model	Diameter	Rotation speed	Blades	Weight	Voltage electrical supply	Power consumption
Zefiro	4 m	110 rpm	5/6	65 Kg	400V 3ph	0,5 kW
Zefiro Power	4 m	140 rpm	5/6	79 Kg	400V 3ph	1,1 kW
Zefiro Light	4,7 m	85 rpm	5/6	78 Kg	400V 3ph	0,6 kW
Zefiro	4,7 m	105 rpm	5/6	92 Kg	400V 3ph	0,9 kW
Zefiro Power	4,7 m	120 rpm	5/6	100 Kg	400V 3ph	1,2 kW
Zefiro Light	5 m	85 rpm	5/6	79 Kg	400V 3ph	0,6 kW
Zefiro	5 m	105 rpm	5/6	93 Kg	400V 3ph	1 kW
Zefiro Power	5 m	120 rpm	5/6	101 Kg	400V 3ph	1,35 kW
Zefiro Light	5,7 m	105 rpm	5/6	96 Kg	400V 3ph	0,6 kW
Zefiro	5,7 m	120 rpm	5/6	104 Kg	400V 3ph	1 kW
Zefiro Light	6 m	70 rpm	5/6	97 Kg	400V 3ph	0,7 kW
Zefiro	6 m	85 rpm	5/6	105 Kg	400V 3ph	1,1 kW
Zefiro Light	7 m	60 rpm	5/6	102 Kg	400V 3ph	0,8 kW
Zefiro	7 m	75 rpm	5/6	110 Kg	400V 3ph	1,12 kW



VERTIGO fans are the evolution of the ZEFIRO line, to bring the benefits of ventilation to low height buildings where horizontal fans can't be installed. Its special shape makes it flexible, allowing it to work horizontally or to be tilted as required, from 0° to 90°. The high output, efficiency, low power consumption and reduced maintenance derive directly from ZEFIRO line experience. VERTIGO expresses its utmost potential in waiting areas: here the animals are concentrated in a confined space, heat and stress reach very high levels and it is essential to provide welfare.

STANDARD FEATURES

Specific for diary cows and beef sector



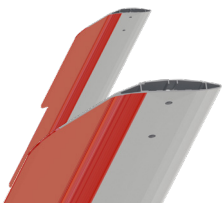
PERMANENT MAGNETS ENGINE

Gearless technology design and manufacturing CMP expertise. Highest levels of performance and energy efficiency. No gearbox. Noise and maintenance reduction.



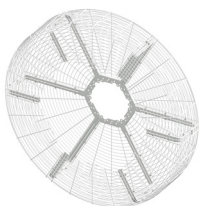
ON-BOARD MOTOR CONTROL

A patented component added to the mechanical part of the fans in order to eliminate the friction generated by the weight of the impeller and blades and increase their robustness.



ALUMINIUM FOILS

Aluminium shape generates more airflow over the entire speed range. Requires less energy for optimum airflow. The blades create optimal spacing for maximum volume, velocity and air delivery to the space below.



SAFETY NET

Aluminium shape generates more airflow over the entire speed range. Requires less energy for optimum airflow. The blades create optimal spacing for maximum volume, velocity and air delivery to the space below.

Reverse functionality
6 blades

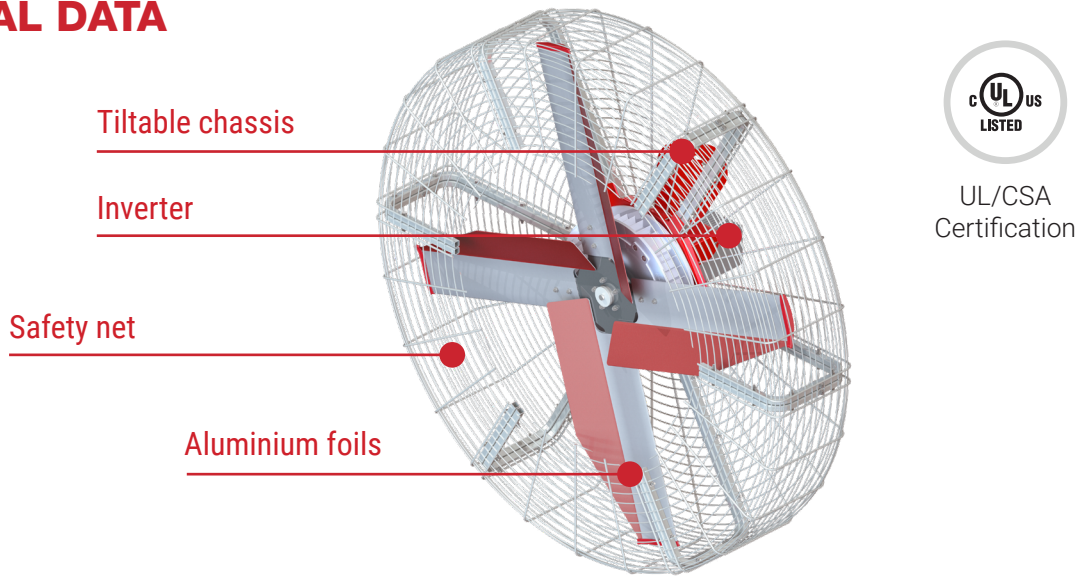
Color customization
Install guides

Certifications
Warranties

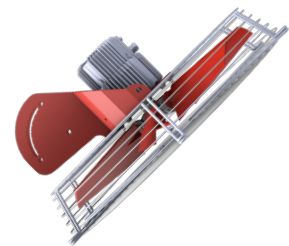
Support & Services
Control Option



TECHNICAL DATA



Model	Diameter	Rotation speed	Blades	Weight	Voltage electrical supply	Power consumption	Safety net
Vertigo	0,8 m	900 rpm	7	30 Kg	400V 3ph	0,72 kW	Included
Vertigo	1 m	700 rpm	5	33 Kg	400V 3ph	0,65 kW	Included
Vertigo	1,3 m	700 rpm	3	38 Kg	400V 3ph	0,65 kW	Included
Vertigo	1,6 m	500 rpm	4	57 Kg	400V 3ph	1 kW	Included
Vertigo	2,5 m	220 rpm	3	55 Kg	400V 3ph	0,8 kW	No net
Vertigo	2,5 m	230 rpm	6	64 Kg	400V 3ph	1,5 kW	Optional
Vertigo Power	2,5 m	250 rpm	6	76 Kg	400V 3ph	1,7 kW	Optional
Vertigo	3 m	165 rpm	6	68 Kg	400V 3ph	0,9 kW	No net
Vertigo Power	3 m	190 rpm	6	80 Kg	400V 3ph	1,3 kW	No net



Reverse functionality
6 blades

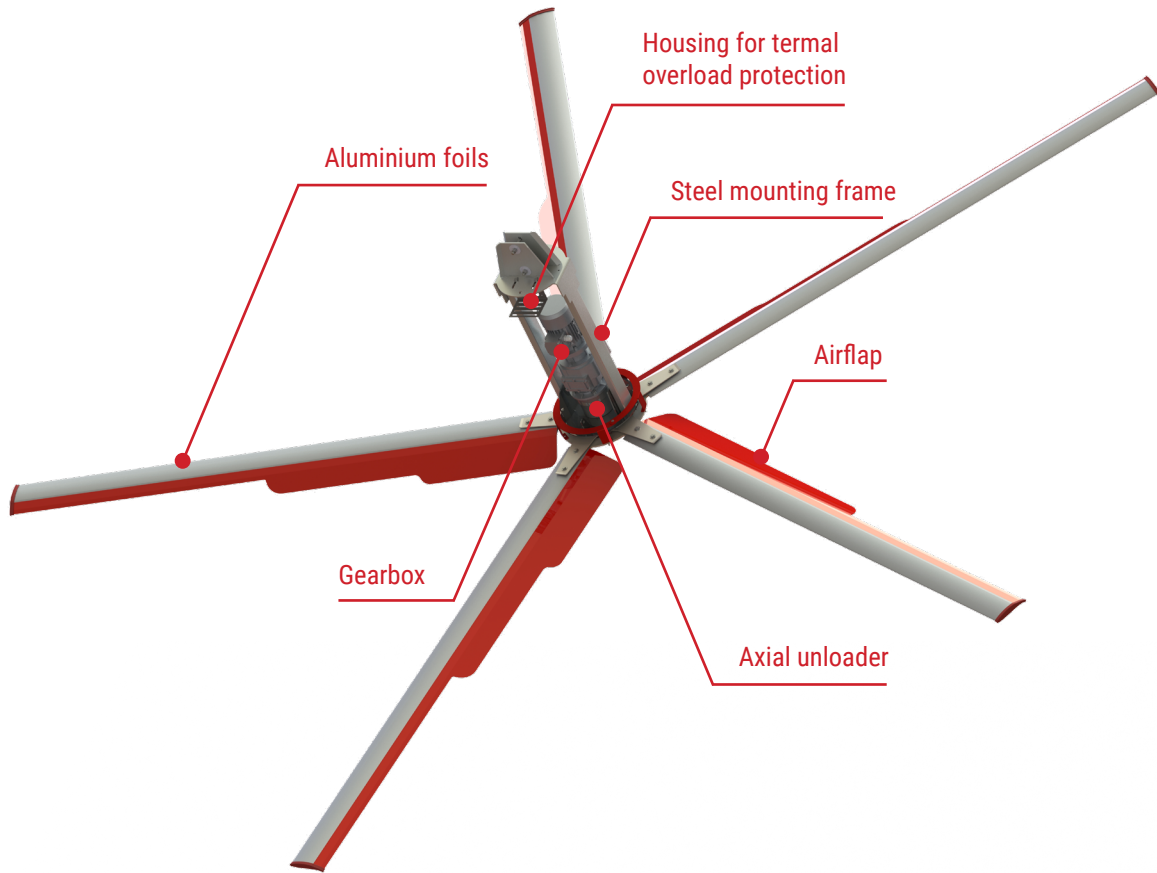
Color customization
Install guides

Certifications
Warranties

Support & Services
Control Option



TECHNICAL DATA



Model	Diameter	Rotation speed	Blades	Weight	Voltage electrical supply	Power consumption	Safety distance
VS	4 m	110 rpm	5	81 Kg	400V 3ph	0,6 kW	40 cm
VS	4,7 m	98 rpm	5	90 Kg	400V 3ph	0,85 kW	50 cm
VS	5 m	98 rpm	5	90,6 Kg	400V 3ph	0,95 kW	50 cm
VS	5,7 m	86 rpm	5	108,6 Kg	400V 3ph	1,4 kW	60 cm
VS	6 m	86 rpm	5	109,2 Kg	400V 3ph	1,5 kW	60 cm
VS	7 m	73 rpm	5	112,1 Kg	400V 3ph	1,8 kW	70 cm



VS fans are axial destratifier with gear engine, extraordinarily functional and cost convenient. The particular feature of this series of products is the axial unloader, a patented component added to the mechanical part of the fans in order to eliminate the friction generated by the weight of the impeller and blades and increase their robustness. The VS fans are the traditional alternative to the ZEFIRO line and well suited for heavy-duty work situations.

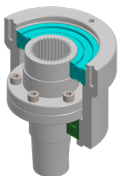
STANDARD FEATURES

Specific for diary cows and beef sector



COMPACT GEARED ENGINE

Easy interchangeability is guaranteed by coaxial inline input and output shafts and identical mounting dimensions of the double and triple reduction design.



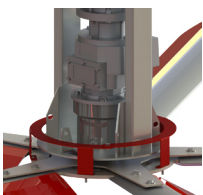
AXIAL UNLOADER

A patented component added to the mechanical part of the fans in order to eliminate the friction generated by the weight of the impeller and blades and increase their robustness.



ALUMINIUM FOILS

Aluminium shape generates more airflow over the entire speed range. Requires less energy for optimum airflow. The blades create optimal spacing for maximum volume, velocity and air delivery to the space below.



SAFETY COMPONENTS

Safety components: safety cable and parachute system.